

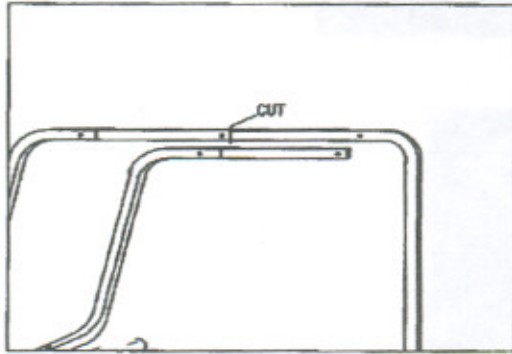
M&M VEHICLE CORP.

G4 (STD) REAR TOP SUPPORTS, PK,EC,PC,3/1

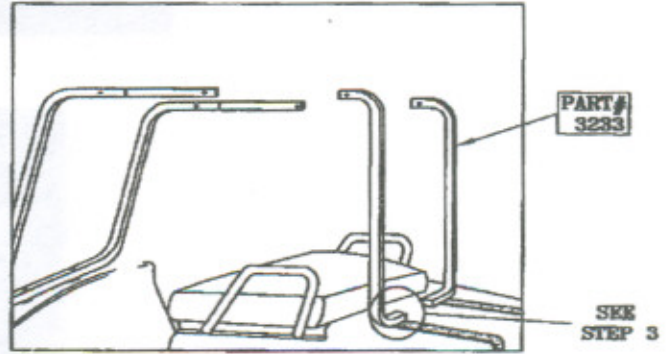
Part# PC275RLG4 & PC275RLG4B

YAMAHA- G-14-16-19

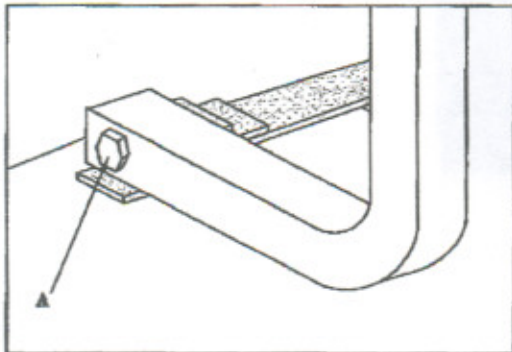
INSTALLATION INSTRUCTIONS



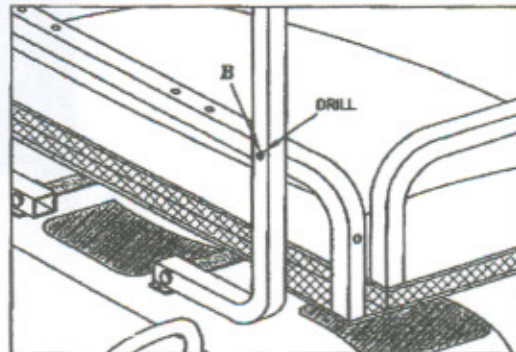
STEP 1: REMOVE TOP AND CUT RAIL 1" BEHIND MIDDLE HOLE.



STEP 2: MOUNT REAR TOP SUPPORTS (PART# 3233) TO TABS ON BLACK STEEL UNDERCARRIAGE BRACKETS WITH:
(2)- $\frac{1}{4}$ " x $1\frac{1}{4}$ " BOLTS, (4)- $\frac{1}{4}$ " FLATWASHERS,
(2)- $\frac{1}{4}$ " LOCKNUTS AT LOCATION A.



STEP 3: INSTALL REAR TOP SUPPORTS INFRONT OF UNDERCARRIAGE BRACKET. REINSTALL TOP USING SIX (6) ORIGINAL BOLTS AND NUTS



STEP 4: DRILL (2) $\frac{1}{8}$ " HOLES THROUGH TOP SUPPORTS AT LOCATION B, FASTEN TO SEAT BACK SUPPORT WITH:
(2)- $\frac{1}{4}$ " x $2\frac{1}{2}$ " HEX HEAD BOLTS,
(4)- $\frac{1}{4}$ " FLATWASHERS, (2)- $\frac{1}{4}$ " LOCKNUTS.

BOLT KIT

2- $1\frac{1}{4}$ " x $1\frac{3}{4}$ " Hex Head Bolt
2- $1\frac{1}{4}$ " x $2\frac{1}{2}$ " Hex Head Bolt
8- $1\frac{1}{4}$ " Flat Washers
4- $1\frac{1}{4}$ " Lock Nuts

M & M VEHICLE CORP.

19873 Hwy 22 W. Mexico MO 65265
573-581-4914

TITLE:

YAMAHA- G-14-16-19
INSTALLATION INSTRUCTIONS

NOTICE

THE INFORMATION CONTAINED HEREIN IS THE PROPERTY OF M & M VEHICLE CORP. AND IT SHALL NOT BE COPIED NOR USED IN ANY MANNER EXCEPT AS EXPRESSLY AUTHORIZED.

DRAWN BY:

RANDY HAERER

DATE:

MAY 29, 2007

DWG NO.

5177-3

SHEET:

1 of 1

SCALE:

Not To Scale